

ClickOn Bus 4 Channel 0-10V Controller CB-10V-104



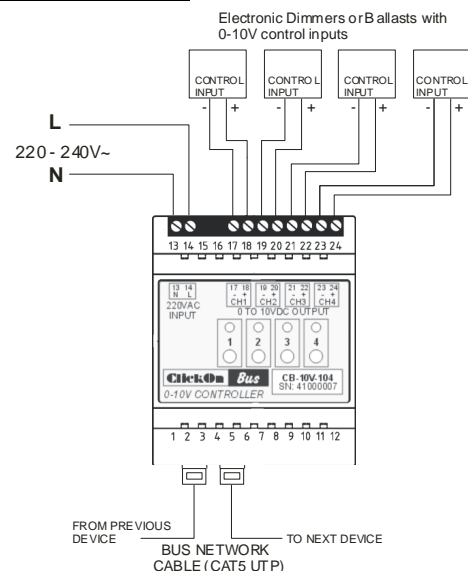
Product Features

- ClickOn Bus output unit suitable for driving most types of 0-10V controllable dimmers and electronic dimmable ballasts
- Provides four analogue outputs for independent control of up to four devices
- DIN rail mounted (4 modules wide)
- Connects to the ClickOn Bus network via 2 RJ45 connectors
- Can be controlled from any ClickOn Bus input unit such as ClickOn Bus Wallswitches, a ClickOn Remote Control via a ClickOn Bus RF Transceiver module connected to the network or a ClickOn Remote Commander
- Multiple input units can be programmed into the controller allowing multi-way switching from different locations
- Programming can be done through a simple to use learning procedure or from a PC using the CLBUS Installation software
- Power failure memory
- Bus network connections are optically isolated from the output (0-10V) side
- Programmable soft turn ON and turn OFF rate

Specifications

- Model: CB-10V-104
- Supply voltage: 220-240V~ 50Hz
- Bus side supply voltage: 15-24VDC (via bus network cable)
- Bus side supply current: 30mA maximum
- Output Voltage Range: 0 – 10V
- Output Current Rating: 2mA maximum per channel
- Memory capacity (linked devices): 32 per channel
- Ambient Temperature: 0 – 40 °C
- Ingress Protection: IP20
- Dimensions: 70mm (width) x 58mm (height) x 86mm

Wiring Diagram



Operation

- Press and release unit pushbutton for the appropriate channel to toggle the output for that channel.
- Press and hold unit pushbutton to dim light up or down
- To link a ClickOn Bus Wallswitch button to the controller without using the CLBUS installation software:
 - Enter program mode by pressing and holding the controller pushbutton for the appropriate channel until the LED starts flashing amber
 - Press and hold the wallswitch button until the wallswitch LED flashes at a faster rate
 - Press and release the controller pushbutton to exit program mode
- Operation from a ClickOn Bus Wallswitch:
 - Press and release wallswitch button to toggle output
 - Press and hold wallswitch button to dim light up or down

Status LED

Green: Output switched OFF
 Red: Output switched ON
 Flashing amber: Program mode active