

# ClickOn Bus Dali Gateway

## CB-DAL-10

### Installation Instructions and User's Guide

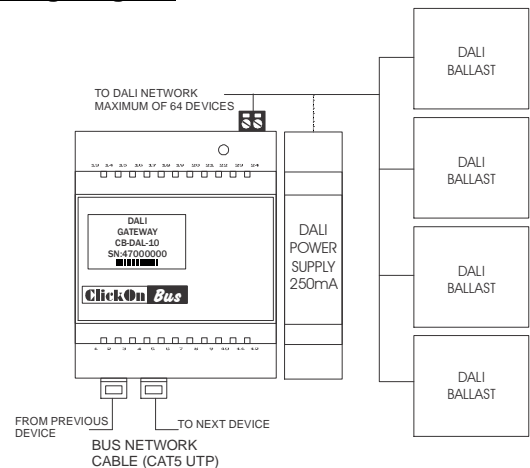


#### Specifications

- Bus side supply voltage: 15-24VDC (via bus network cable)
- Bus side supply current: 80mA maximum
- Memory capacity (linked devices): 32 per channel
- Ambient Temperature: 0 – 40 °C (32 – 104 °F)
- Ingress Protection: IP20
- Dimensions: 70mm (width) x 58mm (height) x 86mm

**Note:** The information provided in this document is limited to the installation and setup of the DALI Gateway only. Please consult the relevant documentation for more information on the installation requirements and setup of the DALI network.

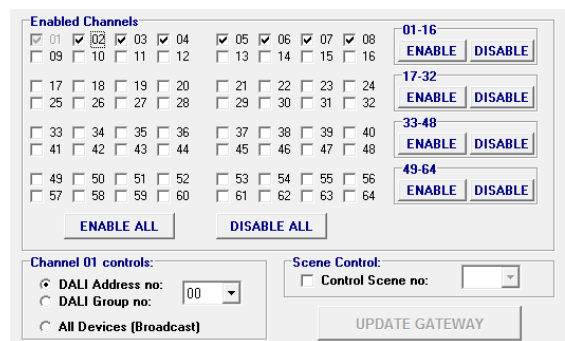
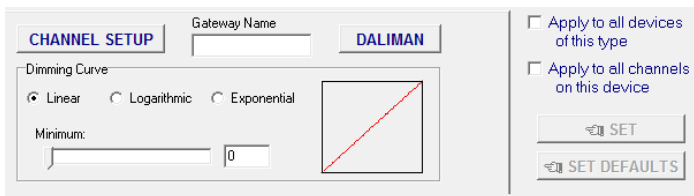
#### Wiring Diagram



#### Installation

- The Dali Gateway should only be installed by a suitably qualified person
- Do not connect any mains wiring apart from the DALI control wires to the Interface.
- Units should be installed in a suitable distribution box fitted with 35mm din rail
- Ensure that the mains power has been switched off before commencing installation
- All mains wiring should be done in accordance with local authority wiring regulations
- DALI control wires can be routed with mains wires without segregation
- The DALI line is free topology
- A safe isolation distance should be kept between all mains wiring and the Bus network cable
- See the *ClickOn Bus Network installation Guide* for more information on the Bus network wiring

#### Setup



- Use the [CLBUS Installation Software](#) to configure the DALI Gateway. Double click on any channel of the DALI Gateway in the Device List and click on the **Setup Tab**.
- A [Gateway Name](#) can be assigned to the Gateway to distinguish between different Gateways on the same Bus network when using the DALIMAN configuration software.
- Select the appropriate [Dimming Curve](#) for the type of lighting load connected to the DALI device controlled by this channel.
- Click on the [CHANNEL SETUP](#) button to change the setup for the selected channel.
- Each channel on the DALI Gateway can be programmed:
  - To control either a specific [DALI Address](#) (device on the DALI network),
  - To control a [DALI Group](#) (DALI devices assigned to a DALI group address) or
  - As a [Broadcast](#) channel (controls all devices on the DALI network).
- A DALI channel can also be set to trigger a DALI scene for a specific DALI address or group.
- Unused Gateway channels can be disabled for ease of programming. (Note that channel 1 cannot be disabled)
- Click on the [DALIMAN](#) button to run the Dali Configuration utility (needs to be installed separately from CLBUS). This utility can be used to configure the DALI network through the DALI Gateway without the need for a separate third-party DALI Programming Interface and software (see the *Help Documentation in DALIMAN for more details on using the utility*).
- Use the [Links Tab](#) to link Bus inputs devices (wallswitches and remote controls) to a DALI channel.

#### Status LED

- Green: DALI ballasts okay
- RED: DALI ballast error