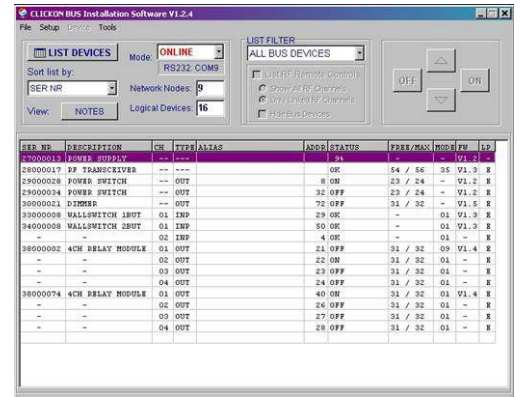


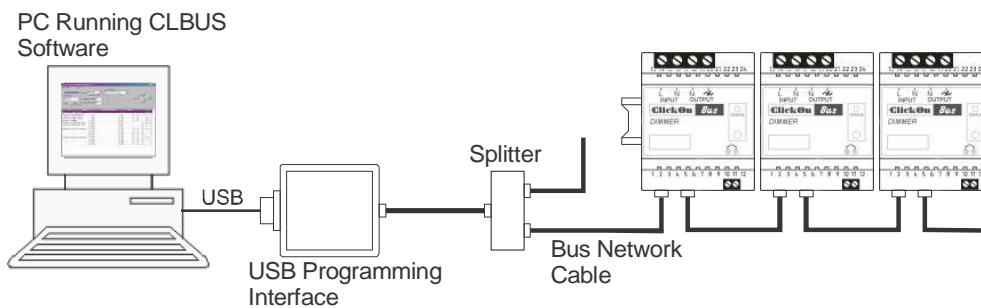
CLBUS Installation Software

Product Features

- ClickOn Bus Installation Software for configuring ClickOn Bus devices
- Connects to the Bus network via a Bus USB Programming Interface (CB-USB-10)
- Simple to use graphical interface
- Can save or restore a Bus setup to/from a file
- Status feedback of Bus devices
- Offline mode allows changes to be made off-site without being connected to the Bus network. Changes are simply downloaded to the network when arriving at the site.



Typical Configuration



Software Functions

- List all devices connected to a ClickOn Bus Network
- Configure individual devices:
 - Assign a 16 character alias to device
 - Set device specific parameters
- Link Bus input devices to Bus output devices
- Manage, save and link RF Remote controls
- Test Bus Output Devices
- Upload and save a Bus Network to a file
- Restore a network from a file
- Replace or swap devices on the network
- Manage profiles offline

Requirements

- PC Running Windows 98, 2000, XP, Vista or Windows 7
- ClickOn Bus USB Programming Interface (CB-USB-10)
- Available USB port on the PC
- Fully operational ClickOn Bus Network installation

