


ClickOn Bus 4 Channel Relay Module Din Rail

CB-REL-104

Installation Instructions and User's Guide



Specifications

- Maximum switching current @ 230V~
 -  General purpose resistive: 460W (2A)
- Bus side supply voltage: 15-24VDC (via bus network cable)
- Bus side supply current: 100mA maximum
- Memory capacity (linked devices): 32 per channel
- Ambient Temperature: 0 – 40 °C (32 – 104 °F)
- Ingress Protection: IP20
- Dimensions: 70mm (width) x 58mm (height) x 86mm

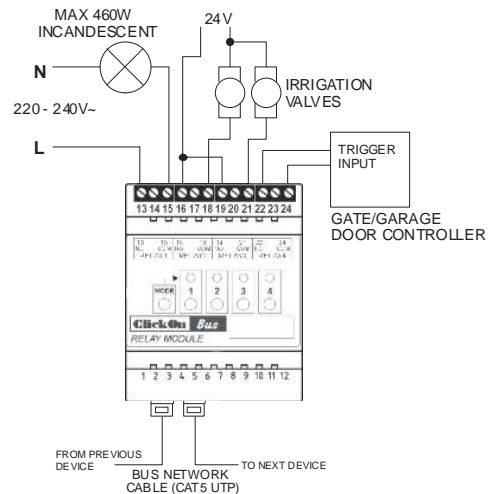
Installation

- The relay module should only be installed by a suitably qualified person
- This Relay Module is not designed for use with fluorescent, compact fluorescent, metal halide, sodium vapour lamps or any appliances
- Use with an external relay or contactor for non-resistive loads or loads higher than 2A
- Relay Modules should be installed in a suitable distribution box fitted with 35mm din rail or other suitable enclosure
- In a mains application, ensure that the mains power has been switched off before commencing installation
- All mains wiring should be done in accordance with local authority wiring regulations
- A safe isolation distance should be kept between all mains wiring and the Bus network cable
- See the *ClickOn Bus Network Installation Guide* for more information on the Bus network wiring

Setup

- To link a ClickOn Bus Wallswitch button to the Relay Module without using the CLBUS installation software:
 - Enter program mode by pressing and holding one of the channel buttons on the relay module until the LED starts flashing amber
 - Press and hold the wallswitch button until the wallswitch LED flashes at a faster rate
 - Press and release the relay module button to exit program mode
- To change the mode of a channel without using the CLBUS installation software:
 - Press and hold the MODE button. The number of flashes on each channel LED indicates the current mode for that channel (see Operating Modes)
 - While pressing the MODE button, press and hold one of the channel buttons to change the mode for that channel
- Setup from CLBUS installation software:
 - Enter the relay module setup by double clicking on the device channel in the device list after a LIST DEVICES
 - The operating mode for each channel on the Relay Module can be set individually
 - Use the **Setup Tab** to change the operating mode of the selected channel:
 - Use the **Links Tab** to link input devices (wall switches and remote controls) to the dimmer device

Wiring Diagram



Status LEDs

- Green:** Relay OFF
- Red:** Relay ON
- Flashing amber:** Program mode active



Operating Modes

- ON/OFF:** Relay output switches on or off when receiving a on, off or toggle command from an input device (the output state will be restored after a power failure for this mode only)
- Momentary:** Relay contact remains closed as long as any command is received from an input device
- 1 Second Pulse:** Relay output pulses 1 second when any command is received
- 3 Second Pulse:** Relay output pulses 3 seconds when any command is received
- Irrigation 15min:** Relay stays on for maximum 15 minutes after receiving an on command or until an off command
- Irrigation 30min:** Relay stays on for maximum 30 minutes after receiving an on command or until an off command
- Irrigation 45min:** Relay stays on for maximum 45 minutes after receiving an on command or until an off command
- Irrigation 60min:** Relay stays on for maximum 60 minutes after receiving an on command or until an off command
- Programmable Pulse Length:** Same as modes 3 and 4 but the pulse length can be set from 1 to 255 seconds (via CLBUS software)
- Programmable Irrigation Time:** Same as modes 5 to 8 but the timeout period can be set from 1 to 255 minutes (via CLBUS software)
- Change over:** Channels 1 and 2 or Channels 3 and 4 can be used in combination for curtain or projector screen controllers. Changing the mode on channel 1 or channel 3 to Change over will automatically change the mode on channel 2 or 4 to change over as well. The operation of the Change over mode is as follows:
 - On Command received: Channel switches ON. Paired channel switches OFF.
 - Off Command received: Channel switches OFF. Paired channel switches ON.
 - Up or Down command received: Both channels switch off.

Change Over mode application example:

- Wire channel 1 on the relay module to control the open function of a window blind controller.
- Wire channel 2 on the relay module to control the close function of the blind controller.
- Set the operating mode of the relay module channel 1 to Change Over.
- Link all three buttons of a 3-Button wallswitch to channel 1 on the relay module.
- Set the wallswitch button 1 mode to ON, button 2 to UP and button 3 to OFF.
- Pressing button 1 on the wallswitch will open the blind, pressing button two will stop the blind and pressing button 3 will close the blind.