

TYPICAL APPLICATIONS

- Remote control of any ClickOn Receiving Device
- Gate/Garage door Control
- Remote controlled lighting

FEATURES

- 16 Code hopping channels.
- Ideal for security complexes.
- No dip-switches.
- User-friendly programming.
- Compatible with all ClickOn devices.
- Provides ON, OFF and DIMMING control with ClickOn dimmers.
- Frequency: 433.92Mhz.
- Range: 30 to 100m.



Add security and comfort to your lifestyle

© 2003 ClickOn Technology (Pty) Ltd.
<http://www.clickon.co.za>

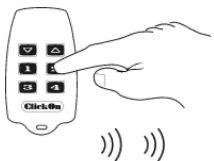
36

CHANNEL SELECTION

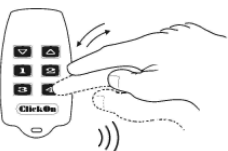
The remote control has 16 channels.

4 Layers x 4 Channels on each Layer = 16

To select a layer:



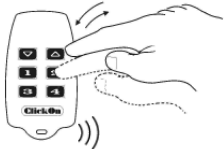


Select a layer number from 1 to 4 by pressing and holding the appropriate channel key (1, 2, 3 or 4) until the remote sounds 2 beeps.



Now press and release the key for the desired channel on the selected layer. If another channel on the same layer needs to be selected, the layer selection does not have to be repeated.

After a channel was selected, that selection will remain active until another channel is selected i.e. all subsequent function operations will be done with the selected channel.


PROGRAMMING

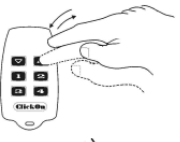
-  Select a channel of your choice on the remote control (see *CHANNEL SELECTION*).
2. Place the receiving device into the programming mode. This is normally done by pressing and holding the button on the receiving device until it's LED starts flashing continuously. (See receiving device user manual for more information).
-  Press and hold the  button on the remote control until the remote sounds 3 beeps. Check for a confirmation signal from the receiving device. (See receiving device user manual for more information).
4. Exit the programming mode on the receiving device.



REMOTE CONTROL FUNCTIONS


Keep in mind that these functions will be available only after successful programming (see **PROGRAMMING**).

To switch a device ON or OFF:




- 


1. Select the appropriate channel on the remote control.
- 

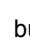

2. Press and release the  button to switch **ON**.
- 


3. Press and release the  button to switch **OFF**.

To DIM a light (when used with a Light Dimmer)



1. Enter the **DIMMING MODE** by pressing and releasing both the  and  buttons simultaneously. The remote control will sound 2 beeps.))))))
- 

2. Select the appropriate channel on the remote control.
- 

3. Press and hold the  button to **DECREASE** the light level.
- 

4. Press and hold the  button to **INCREASE** the light level.

The Remote Control will exit the DIM/BRIGHT mode automatically if no buttons are pressed for 7 seconds.

A forced exit can be achieved by pressing the  and  buttons simultaneously again.

Keypad Lock

Enabling the Keypad Lock Function

Before the keypad lock function can be used, it has to be enabled as follows:

Press and hold button 3 and 4 simultaneously until the remote sounds a burst of beeps (after approximately 5 seconds).

The keypad can now be locked and unlocked (see *Locking/Unlocking the Keypad*)

Disabling the Keypad Lock Function

Press and hold button 3 and 4 simultaneously until the remote sounds a short beep (after approximately 5 seconds). The keypad lock function is now disabled.


Locking/Unlocking the Keypad


Lock or Unlock the Keypad on the Remote Control by pressing buttons 3 and 4 simultaneously. The Remote Control will sound long beeps when the Keypad is locked and any key is pressed on the remote control.


ADVANCED PROGRAMMING

Delete

A single remote control channel programmed into a ClickOn Receiving Device can be deleted from that device without affecting any other channels programmed into the device.


- 


1. Select the **channel to be deleted**. (see *CHANNEL SELECTION*)
2. Place the receiving device into the programming mode. This is normally done by pressing and holding the button on the receiving device until it's LED starts flashing continuously. (See receiving device user manual for more information).
- 

3. Press and hold the  button on the remote control until the remote sounds **3 beeps**. Check for a confirmation signal from the receiving device. (See receiving device user manual for more information).
4. Exit the programming mode on the receiving device.

Delete All

All remote control channels programmed into a ClickOn Receiving Device can be deleted entirely by using **any** ClickOn Remote Control. The remote control used for this need not be one that was previously programmed into the device.

1. Place the receiving device into the programming mode. This is normally done by pressing and holding the button on the receiving device until it's LED starts flashing continuously. (See receiving device user manual for more information).
- 

2. Press and hold the  button on the remote control for at least 10 seconds. During this process the remote will sound 3 beeps followed by another 4 beeps. Check for a confirmation signal from the receiving device. (See receiving device user manual for more information).
3. Exit the programming mode on the receiving device.

BATTERY REPLACEMENT

If the remote control does not respond to any key presses or the LED fails to come on, the battery may need replacement.

The remote control uses one type **23A 12V** battery.

WARRANTY

The manufacturer warrants that the product identified in this manual is free from defects in material or workmanship. This warranty is valid for a period of 12 months from date of purchase. The manufacturer, at its discretion, will repair or replace the defective product when returned to the manufacturer via the retailer of the system. In the event that no satisfaction can be obtained from the retailer of the system, only then can the manufacturer be approached directly by the final purchaser. The manufacturer shall not be responsible for any loss or damage of any nature whatsoever whether direct or indirect, consequential or otherwise, sustained as a result of the use of the product. Improper use or mishandling of this product by the purchaser will render this warranty null and void. No warranty claims will be entertained without presentation of a valid invoice. The manufacturer will charge the purchaser for services rendered outside the warranty period. Any implied warranties in respect of this product are expressly excluded. No agreement whether implied or referred are binding, unless agreed to in writing by the manufacturer.